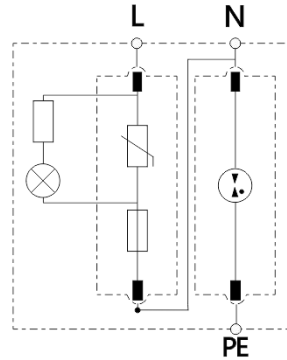
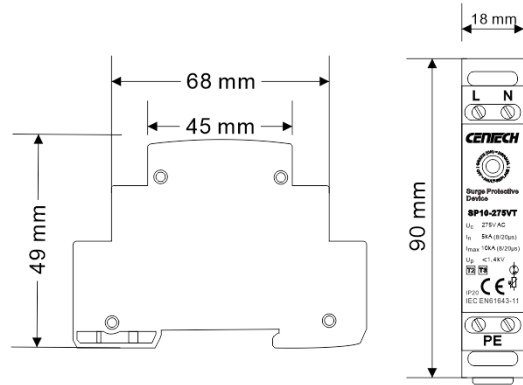




Outside drawing



Electrical principle



Outline dimension

T2+T3 Combined Protection Surge Protective Device (SPD), suitable for the boundaries of LPZ 1-3 zones and higher in low-voltage power supply systems, absorbs residual surges from the front stage, provides precise terminal protection, and is adaptable to scenarios such as unstable power grids.VT technology surge protector, with very low clamping level compare to MOV technology.

- “1+1”protection circuit for TN-S and TT network systems.
- Terminal connection module.
- Class II+III SPD,Max discharge current up to 10kA 8/20 μ s and open circuit voltage Uoc to 10kV.
- High TOV withstand, increased reliability for areas with unstable power network.
- No follow current, no leakage current; intelligently distinguishes power frequency and surge currents, ensuring long service life.Thermal protection & LED failure indicator.
- Comply with IEC/EN 61643-11.

Part No.	SP10-275VT/2P	SP10-440VT/2P	SP10-275VT/4P	SP10-440VT/4P
In accordance with	IEC / EN 61643-11:2011			
Category IEC/VDE	II + III / C + D			
Max. continuous operating voltage (AC/DC) U _c	275 / 350 V	440 / 585 V	275 / 350 V	440 / 585 V
Technology	MOV+GDT technology			
Nominal discharge current(8/20) I _n	5kA			
Max. discharge current(8/20) I _{max}	10kA			
Voltage protection level/Up @I _n	<1,4kV	<2,0kV	<1,4kV	<2,0kV
Open Circuit Voltage (1.2/50μs) U _{oc}	10kV			
Response time	≤25 ns			
Follow current& Leakage current	No			
Backup fuse(only required if not already provided in mains)	32 A gL / gG			
Temporary Overvoltage TOV-Withstand mode(L-N)	335 V / 5 s			
Operating temperature range	- 40°C ~ + 80°C			
Cross-section of connection wire	Single-strand 4mm ² ; multi-strand 2.5 mm			
Torque applied by the screws	Max 0.4 Nm			
Mounting	35mm DIN-rail in accordance with EN 50022/DIN46277-3			
Enclosure material	thermoplastic; extinguishing degree UL94 V-0			
Degree of protection	IP20			
Installation width	1 modules, DIN 43880			
Thermal disconnecter	Light:Green – Normal ; Off - failure			

